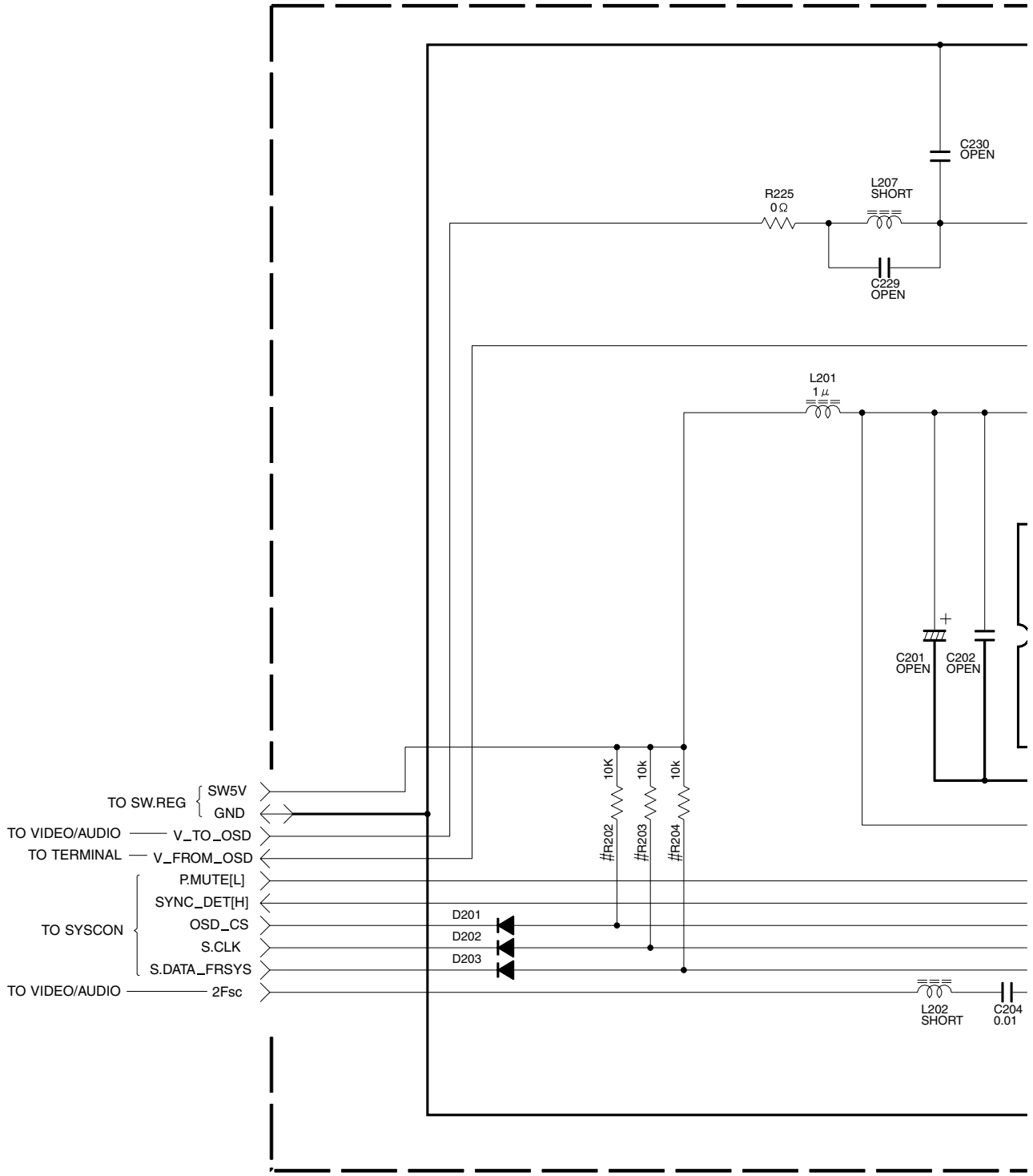


SECTION 4
CHARTS AND DIAGRAM

4.1 ON SCREEN SCHEMATIC DIAGRAM [HR-J580EK/EU, HR-J581EU]



NOTES: UNLESS OTHERWISE SPECIFIED.
 ALL RESISTANCE VALUES ARE IN OHMS.
 ALL INDUCTANCE VALUES ARE IN H.
 ALL CAPACITANCE VALUES ARE IN μ F.

ELECTROLYTIC
 CERAMIC

#DIFFERENCE TABLE

MODEL		SYMBOL	IC201	R202 R203 R204
JVC	EK.EU.(W/O VPS)		LC74788N-9751	○
	MS.EA.EE		LC74789N-9770	X
	EM		LC74789N-9719	○
PHI	/55		LC74789N-9824	X
	/75		LC74788N-9705	○

Note : The Parts Number, value and rated voltage etc. in the Schematic Diagram are for references only. When replacing the parts, refer to the Parts List.

